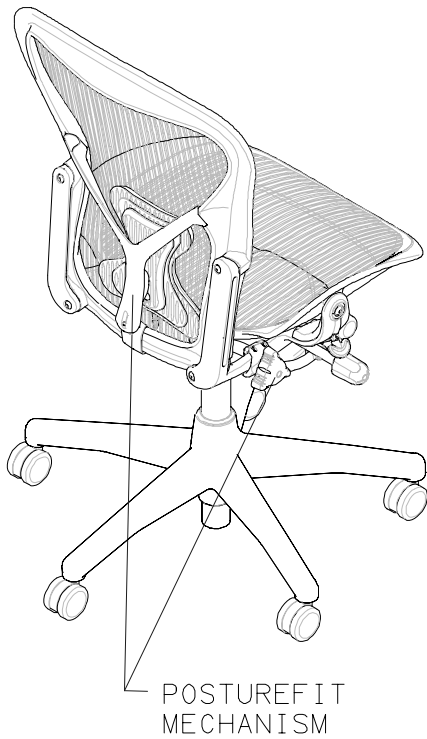
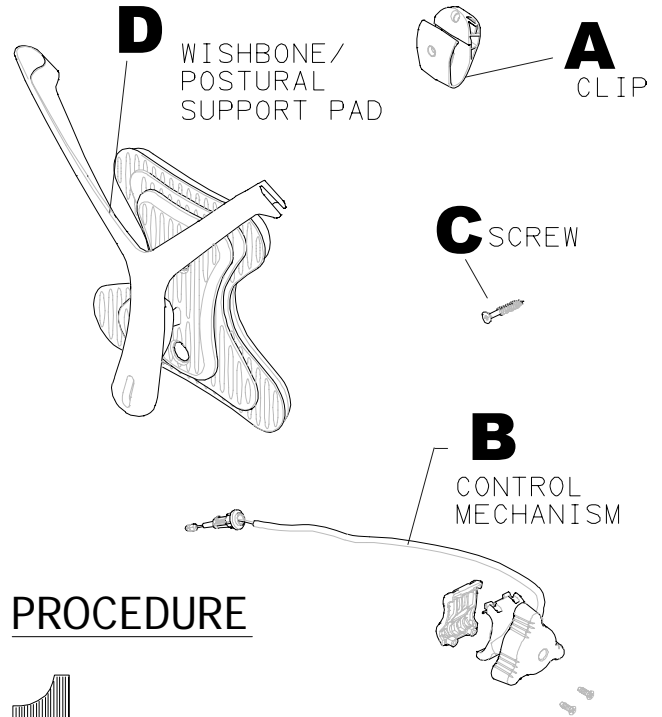


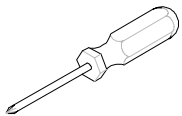
# Aeron® Posturefit Installation



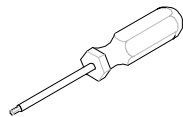
## PARTS INCLUDED



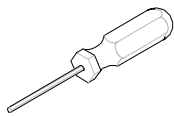
## TOOLS NEEDED



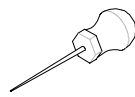
#2 PHILLIPS HEAD  
SCREWDRIVER



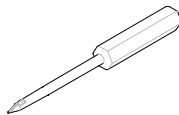
T-15 TORX HEAD  
SCREWDRIVER



2.5 MM HEX HEAD  
SCREWDRIVER

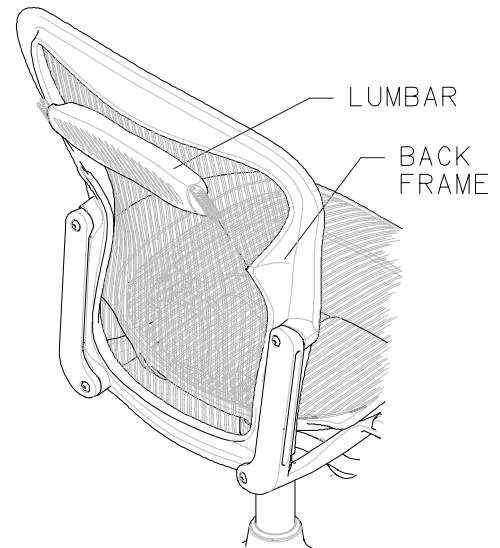
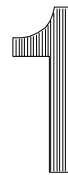


AWL



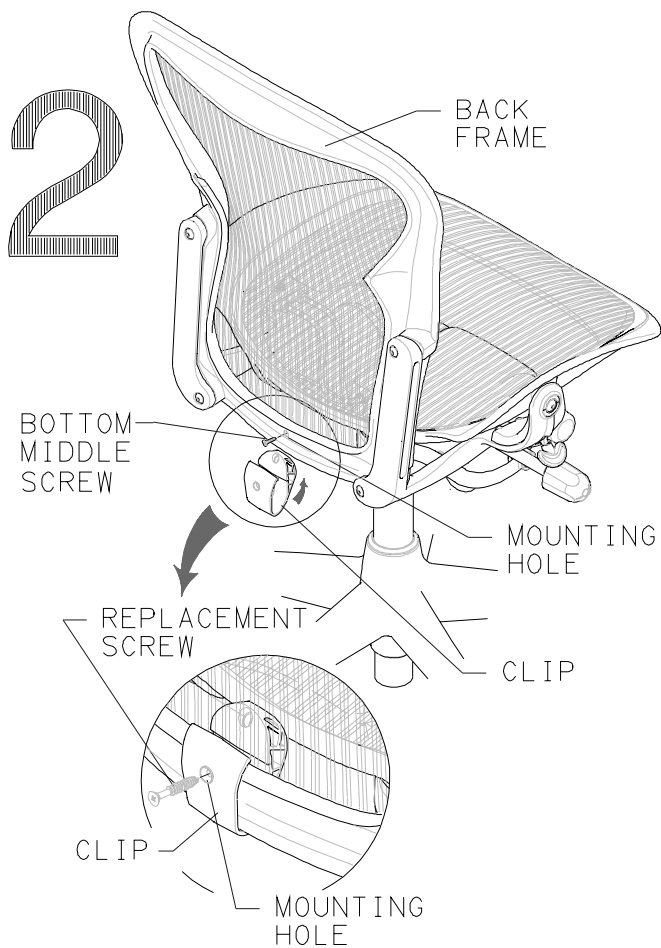
OPTIONAL TOOL AVAILABLE:  
CABLE INSERTION TOOL  
"UAE01D"

## PROCEDURE

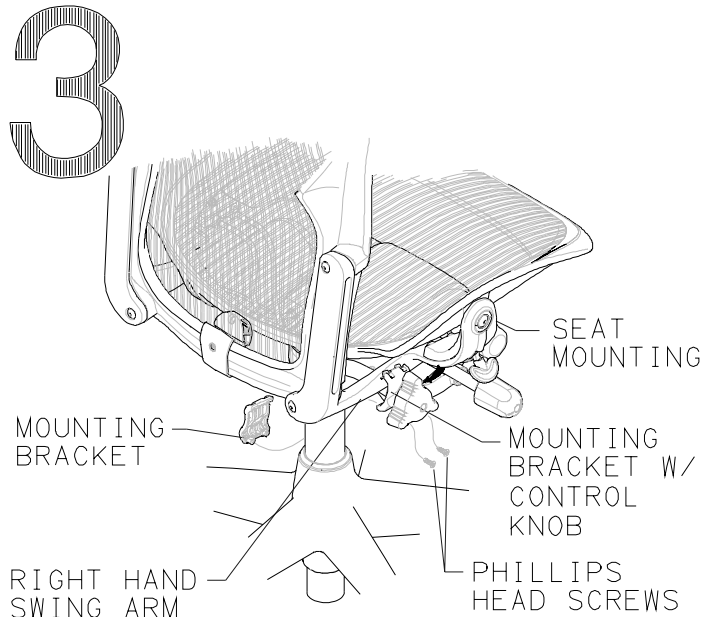
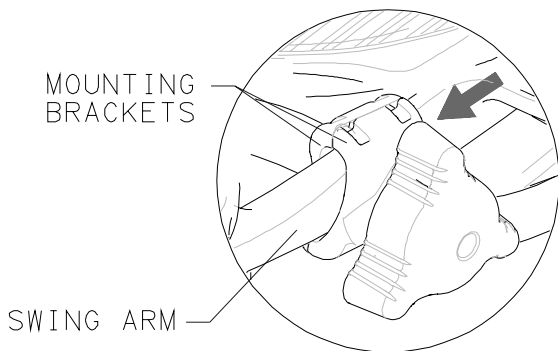


1. If chair is equipped with lumbar, slide off from back frame and dispose of properly.

1B0KGB REV A



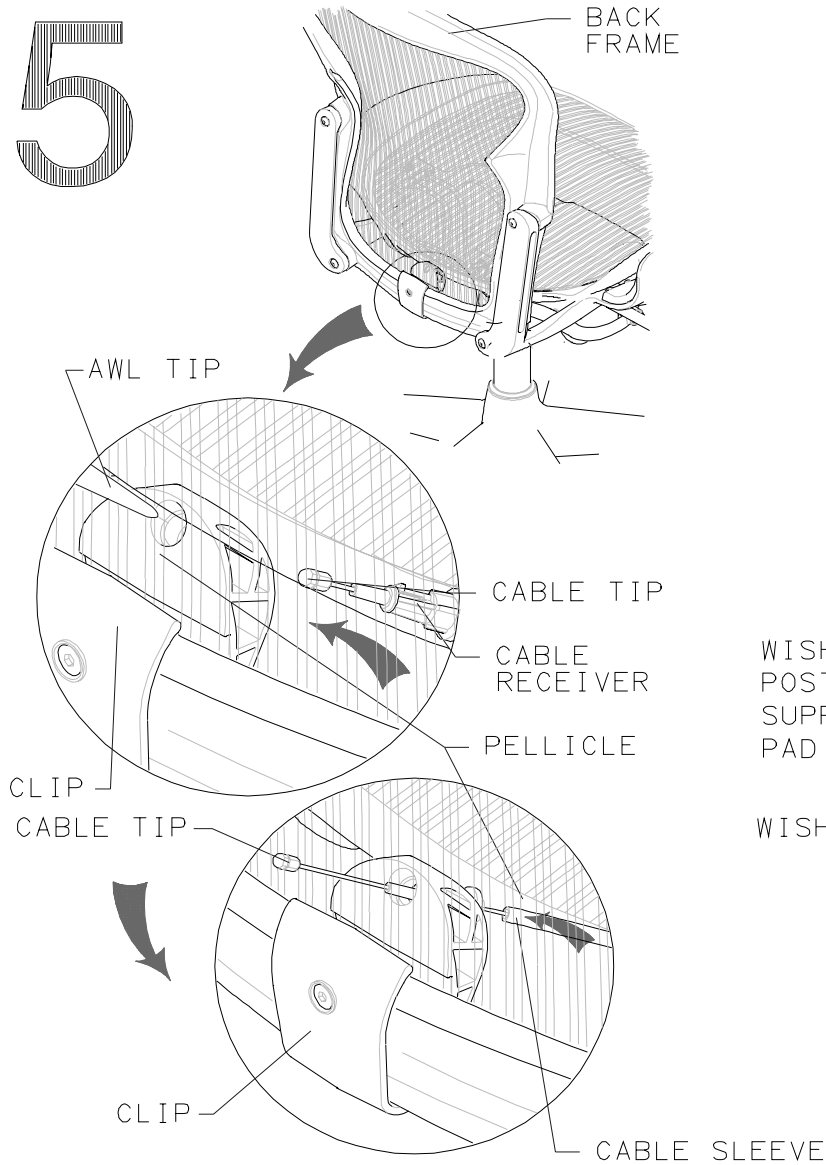
1. Remove bottom middle screw from back frame and dispose of properly. For chairs manufactured with torx head screws, use T-15 torx head screwdriver. For chairs manufactured with hex head screws, use 2.5 MM hex head driver. For chairs manufactured with phillips head screws, use #2 phillips head screwdriver.
2. Place clip (A) over back frame aligning mounting hole to screw to screw hole on back frame. Insert replacement screw (C) and secure clip to back frame using #2 phillips head screw driver.



1. Place mounting bracket with control knob of control mechanism (B) approximately (1) inch back from seat mounting of swing arm. Hook on other half of mounting bracket. Insert phillips head screws. Tighten screws using #2 phillips head screwdriver to secure mounting brackets to each other. Do not tighten to swing arm at this time.

1. Slide mounting brackets back on swing arm until they wedge in place. Tighten screws.
2. Route cable from control mechanism (B) under swing arm out over top of tilt and back towards back frame.

# 5



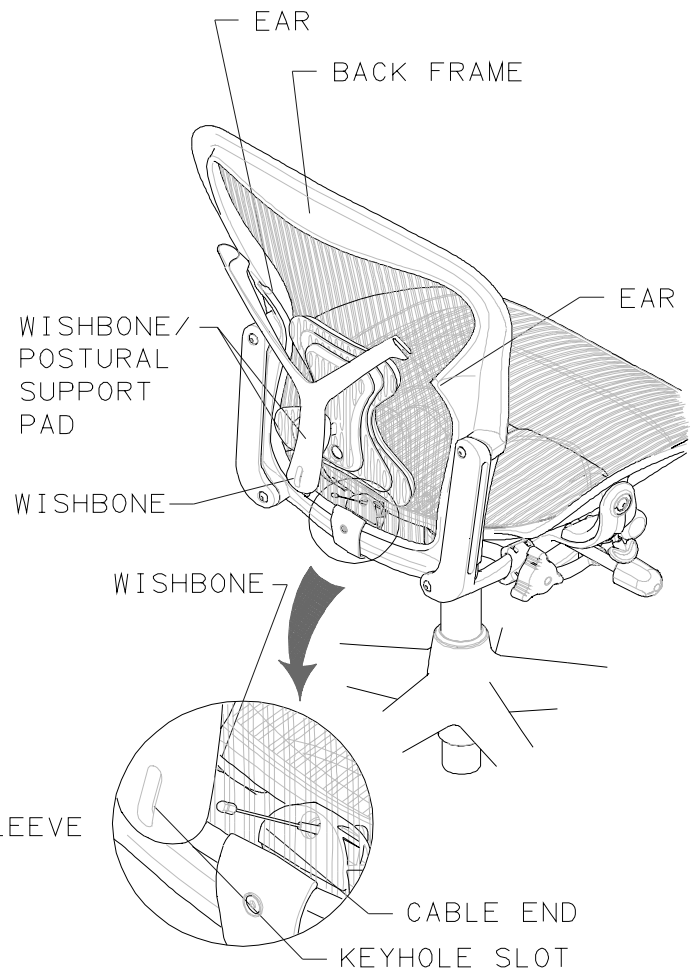
1. Adjust control mechanism COUNTERCLOCKWISE, so control is at lowest setting.
2. Carefully insert awl into pellicle and remove to create opening where cable tip will pass through.
3. Slide cable receiver towards cable tip and insert into clip (A) poking cable tip through pellicle opening.

NOTE: TAKE CARE NOT TO KINK CABLE WHILE INSERTING.

NOTE: TAKE SPECIAL CARE NOT TO SNAG CABLE TIP WHEN PASSING THROUGH PELLICLE.

4. Snap cable sleeve into cable receiver.

# 6



1. Adjust control mechanism COUNTERCLOCKWISE, so control is at lowest setting.
2. Slide wishbone/postural support pad (D) onto back frame.
3. Depress base of wishbone and place cable end in keyhole slot in wishbone.

1BOKGB REV A